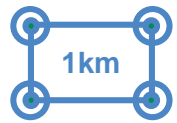


Perimeter Intrusion Detection

VibraSector



VibraSector Key Advantages



One analyzer - up to 1.000m detection range!

A single analyzer can secure up to 1000m of fence divided in up to 98 alarm zones. Multiple analyzers can be interconnected to achieve even larger ranges.



Excellent intrusion detection performance!

Over 30 years of industry experience have perfected our detection algorithms so that intrusion related and non-hostile activities are reliably differentiated.



Audio alarm verification!

For every alarm zone an audio signature is constantly buffered. You can verify the alarms by listening to what happened before the alarm and what actually triggered the alarm.



Easy integration with CCTV and 3rd party software!

VibraSector works very well with CCTV. Various options (e.g. dry relay contacts, TCP/IP) lead to an straightforward integration into security management systems.



VibraTek Plus is an ultrasensitive microphonic sensor. It is installed at the perimeter protection structure to detect breakthrough and climb-over attempts.

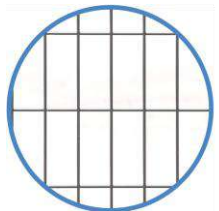
Best-in-class intrusion detection

The **VibraTek Plus** sensor will generate a signal typically 1000 times greater than the background noise. This unmatched signal-to-noise ratio is the reason for an exceptional intrusion detection performance.

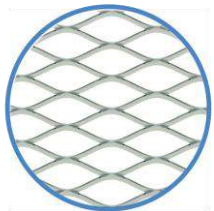
Minimise false alarms

The electrical signal created by the **VibraTek Plus** sensor exactly represents the mechanical energy caused by the intruder so that Detection Technologies' signal processing algorithms reliably differentiate between hostile and non-hostile events.

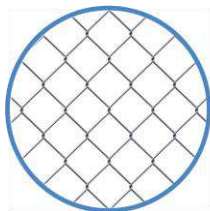
Protects various types of perimeter structures



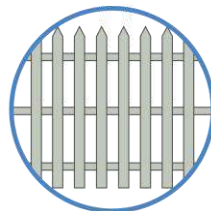
Welded mesh
fence



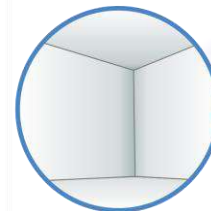
Expanded metal
fence



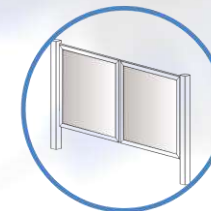
Chain link
fence



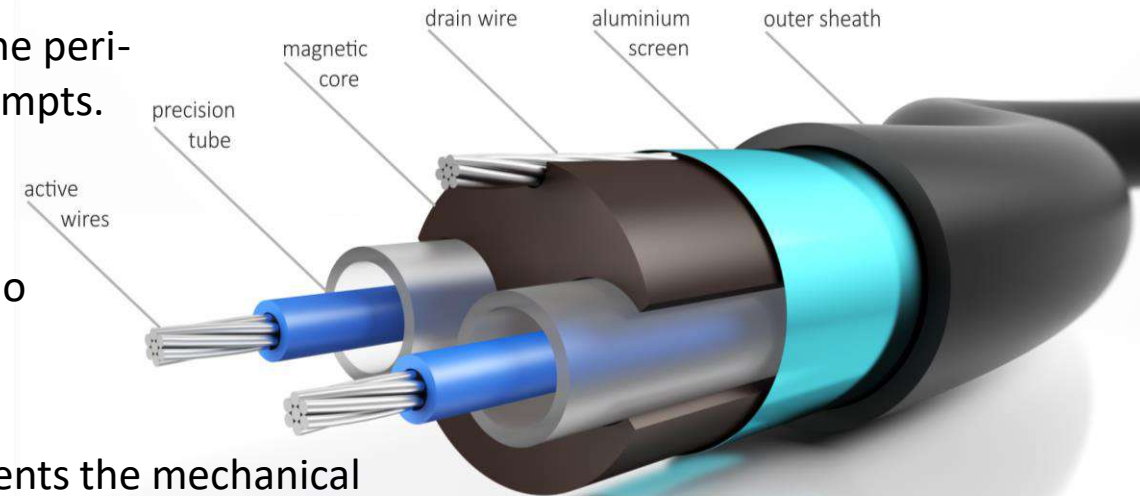
Palisade
fence



Walls, floors
and ceilings



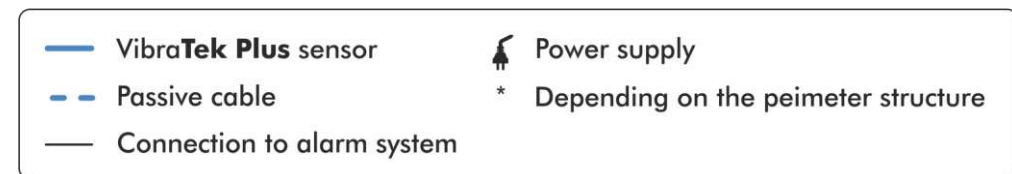
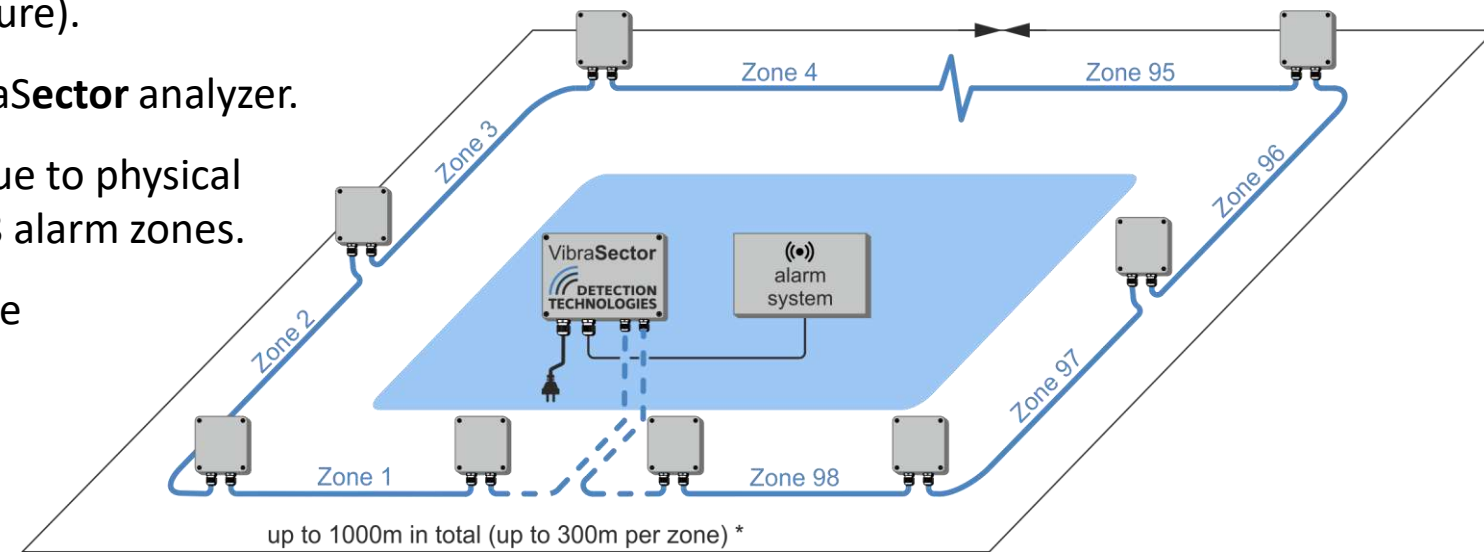
Doors, gates



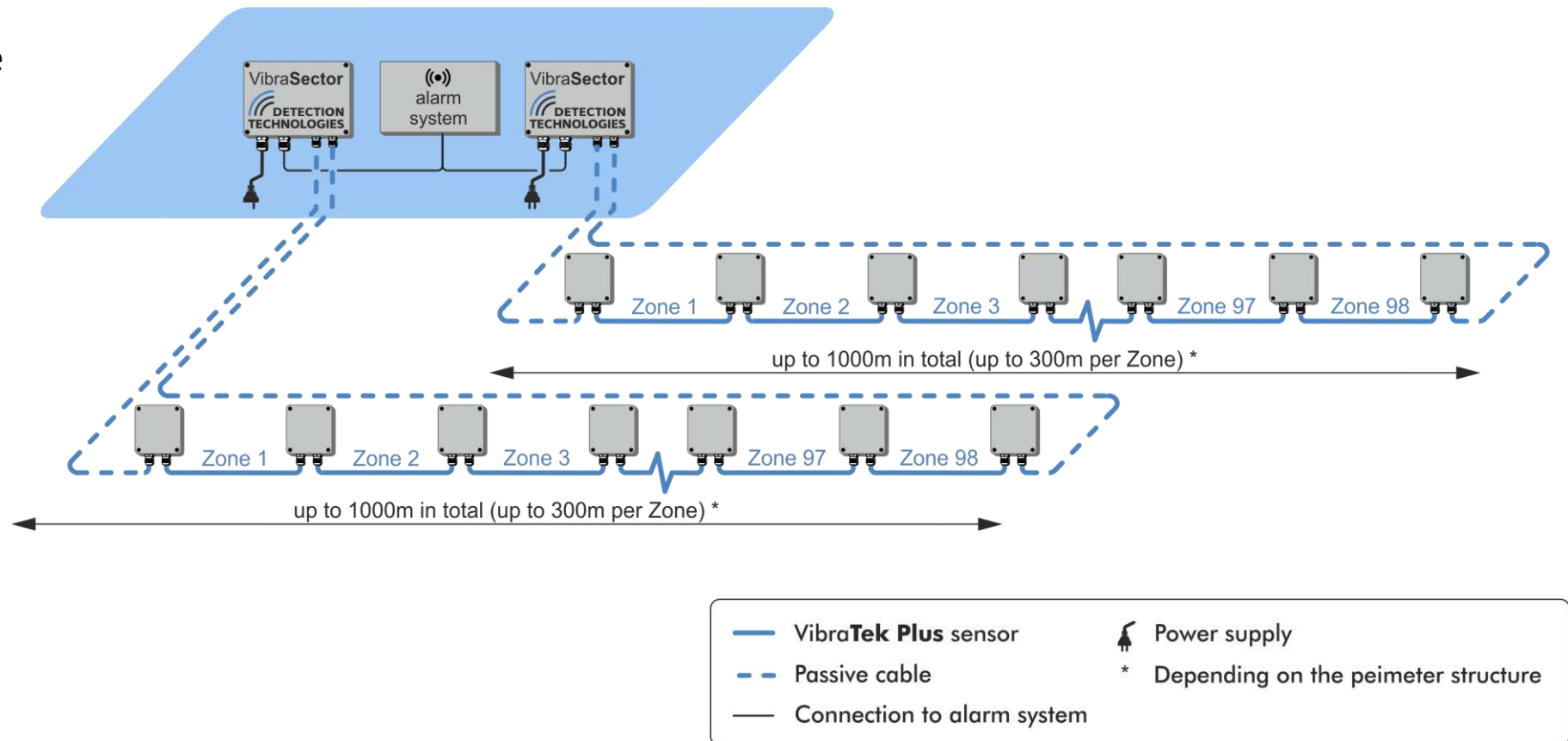
- The **VibraTek Plus** sensor will be installed along the perimeter boundary (fence, wall, gate, railing, etc.).
- Breaking through (cutting, sawing, burning) or climbing over the protected structure inevitably leads to vibrations.
- These vibrations are coupled into the **VibraTek Plus** sensor and subsequently converted to an electrical signal.
- The electrical signal is an very accurate representation of the mechanical energy which caused the signal.
- The **VibraSector** module analyzer analyzes the electrical signals in real-time.
- The detection algorithm filters environmental influences (e.g. wind, rain, hail) and notifies intrusion related activity



- The VibraSector analyzer can be installed centralized (e.g. control room) or decentralized (on the protected structure).
- Up to 1000m detection range with a single VibraSector analyzer.
- Clear alarm assignments to perimeter sectors due to physical perimeter boundary segmentation into up to 98 alarm zones.
- Each alarm zone can protect a different structure (e.g. fence type or gate type).
- Each alarm zone can be parameterized individually.
- Flexibly interrupt the sensor loop with non-protected segments where no protection is needed.



- For large perimeters with more than 1000m structure to be detected multiple analyzers can be connected
- This makes the VibraSector system scalable and future proof



There are three options to integrate Vibra**Sector** into 3rd party CCTV or 3rd party software:

Option 1

- Internal relay module with 10 relay contacts

Option 2

- External relay module with up to 100 relay contacts
- Flexibly positioned within the TCP/IP-network independently of the analyzer

Option 3

- Software interface

Variant A

Handover of alarm information only using the UDP protocol

Variant B

Complete integration including the set-up and configuration of the Vibra**Sector** system using the TCP/IP protocol

Our PID Solutions

	VibraSector	DuoTek	UnoTek	MikroTek	VibraFon Dual	VibraFon Single
Sensor Type	sensor cable	sensor cable	sensor cable	sensor cable	32 seismic sensors	16 seismic sensors
Protected structure	fence (metal & wood) walls / ceilings (metal) gates	fence (metal & wood) walls / ceilings (metal) gates	fence (metal & wood) walls / ceilings (metal) gates	fence (metal & wood) walls / ceilings (metal) gates	walls (brick) gates	walls (brick) gates
Range with one analyser ¹	up to 1,000m ²	up to 600m ²	up to 300m ²	up to 300m ²	up to 160m	up to 80m
Max. number of alarm zones	98	2	1	1	1	1
System configuration	via software	via software	via software	via rotary knobs	via software	via software
Audio alarm verification	yes	yes	yes	yes	yes	yes
Door / gate detection	yes	yes	yes	yes	yes	yes
Tamper detection	yes	yes	yes	yes	yes	yes
Integration of external contacts (e.g. door or gate contacts)	4	4	2	-	4	2
Ways of integrating into CCTV and management systems	Dry relay contacts: - 1 x global alarm - 1 x global tamper - up to 100 x zone alarm Ethernet: - TCP / IP - UDP	Dry relay contacts: - 2 x zone alarm - 2 x zone tamper	Dry relay contacts: - 1 x zone alarm - 1 x zone tamper	Dry relay contacts: - 1 x zone alarm - 1 x zone tamper	Dry relay contacts: - 2 x zone alarm - 2 x zone tamper	Dry relay contacts: - 1 x zone alarm - 1 x zone tamper
Interfaces	1 x Ethernet (RJ45)	1 x USB	1 x USB		1 x USB	1 x USB

¹analysers can be connected to achieve higher ranges

²depending on the type of perimeter structure

Fence type	Approximate maximal zone length
Plastic coated chain link	150 metres
Galvanised chain link	200 metres
Welded mesh	275 metres
Expanded metal	275 metres
Palisade	300 metres